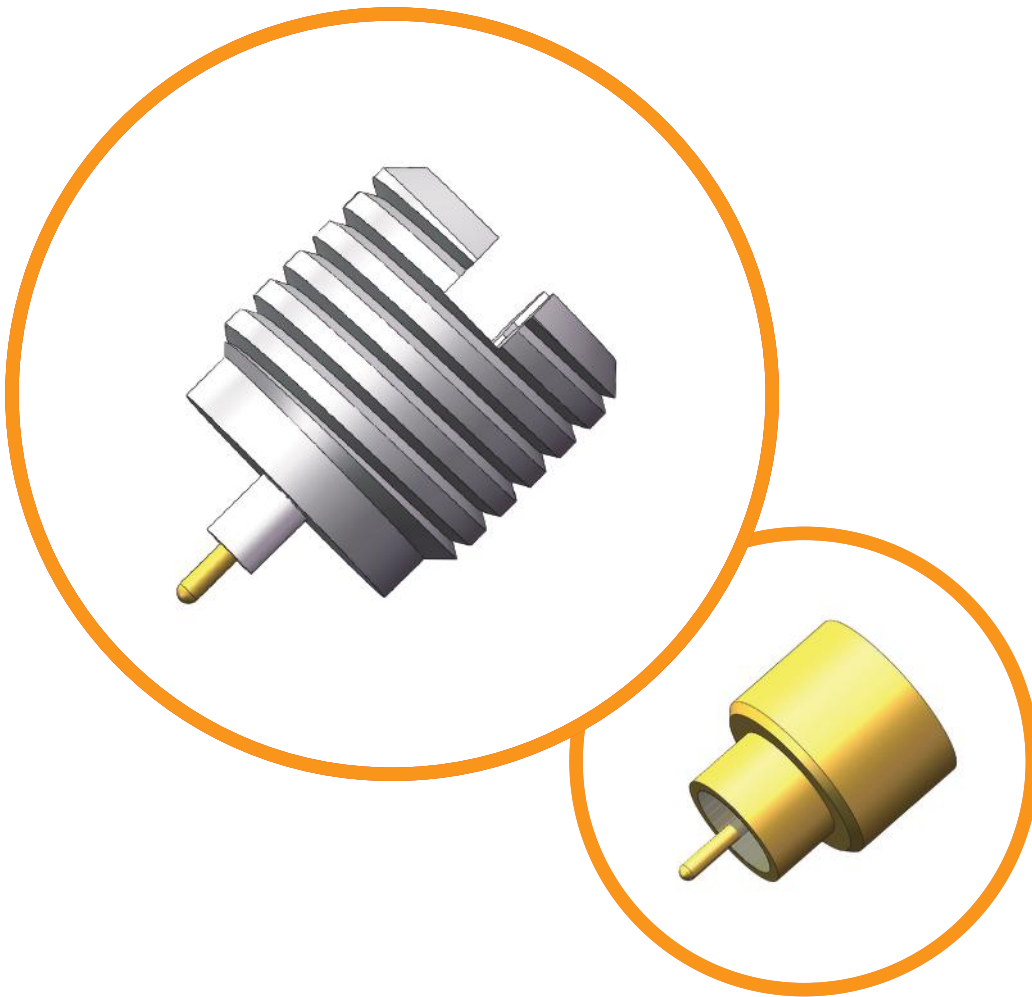


SSMP DC to 50 GHz

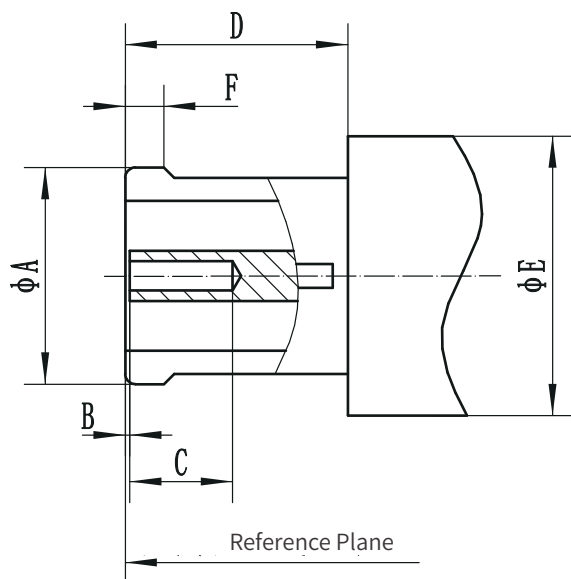


- Low VSWR
- Ultra-low loss
- Durable & rugged
- Extremely long service life

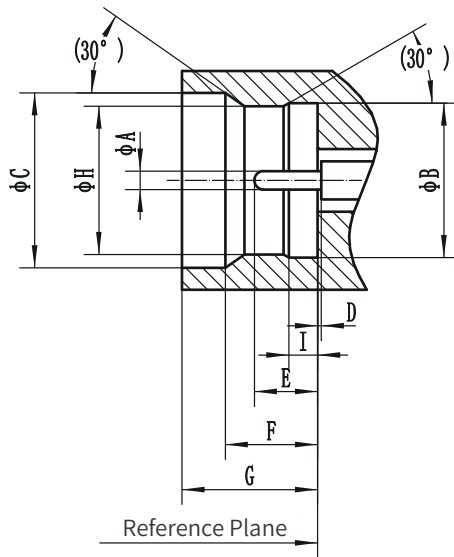
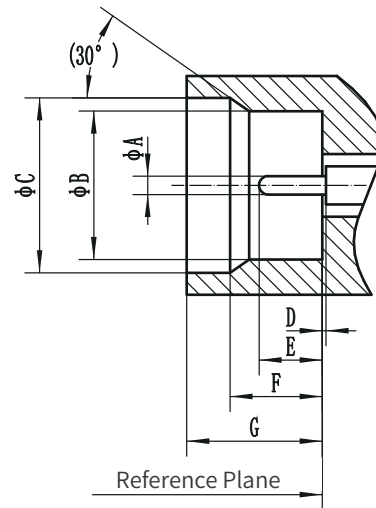
SSMP Connector

Electrical Data	Impedance	50 Ω	
	Frequency Range	DC ~ 50 GHz	
	VSWR	1.25 (Typical)	
	IL	$\leq 0.06 \sqrt{F(\text{GHz})}$ dB	
	Contact Resistance	Center Contact	$\leq 6 \text{ m}\Omega$
		Outer Contact	$\leq 2.5 \text{ m}\Omega$
	Insulation Resistance	$\geq 5000 \text{ M}\Omega$	
	Dielectric Withstanding Voltage	$\geq 325 \text{ Vrms}$	
Environmental Data	Temperature Range	-55°C ~+ 165°C	
Material / Plating	Bodies, Outer Contacts	Beryllium Copper, Brass / Gold; Stainless Steel / Passivated	
	Center Contacts	Beryllium Copper, Brass / Gold	
	Insulators	PTFE, Glass	

Interface Dimensions

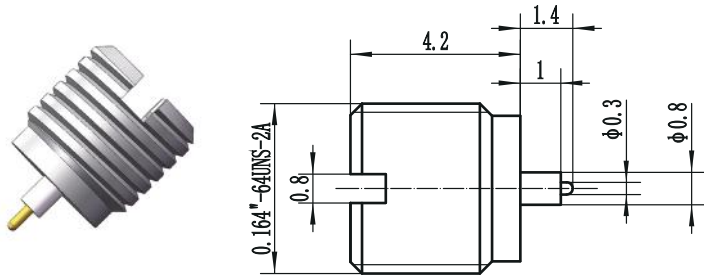


Jack (female)		
	Min (mm)	Max (mm)
A	-	2.41
B	0.00	0.20
C	1.27	-
D	1.73	-
E	-	2.79
F	-	0.58

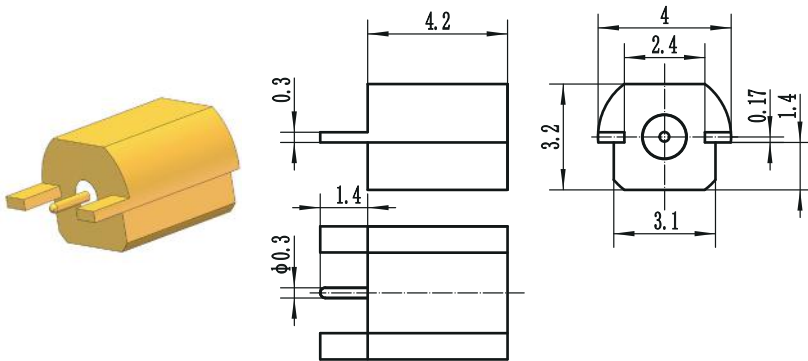
Full Detent

Smooth Bore


Plug (male)		
	Min (mm)	Max (mm)
A	0.28	0.33
B	2.18	2.24
C	2.82	2.92
D	0.00	----
E	0.76	1.14
F	1.57	1.83
G	2.08	2.13
H	2.11	2.16
I	0.53	0.58

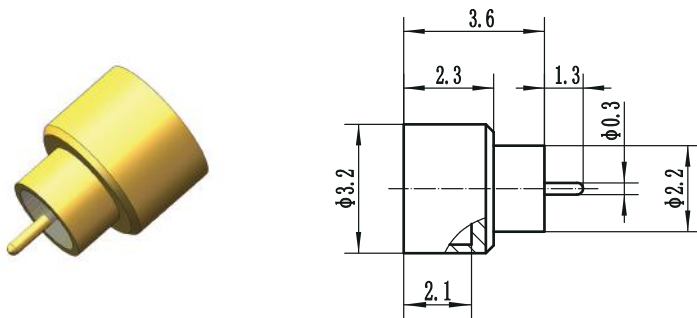
Plug (male)		
	Min (mm)	Max (mm)
A	0.28	0.33
B	2.18	2.24
C	2.82	2.92
D	0.00	----
E	0.76	1.14
F	1.57	1.83
G	2.08	2.13



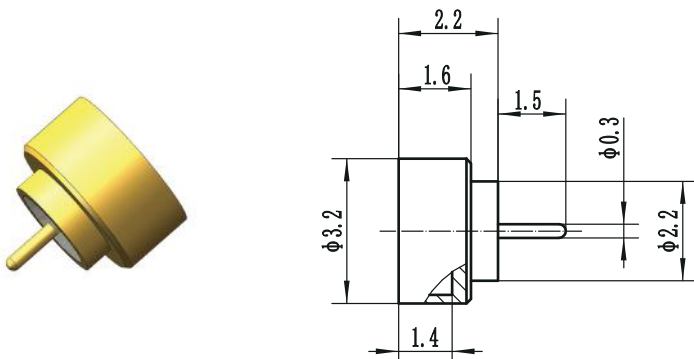
Model No.	Remarks
SSMP-JYD1-S	Smooth Bore
SSMP-JYD1-F	Full Detent



Model No.	Remarks
SSMP-JHD1-S	Smooth Bore
SSMP-JHD1-F	Full Detent



Model No.	Remarks
SSMP(M)-JHD1-S	Smooth Bore
SSMP(M)-JHD1-F	Full Detent



Model No.	Remarks
SSMP(M)-JHD2-S	Smooth Bore
SSMP(M)-JHD2-F	Full Detent