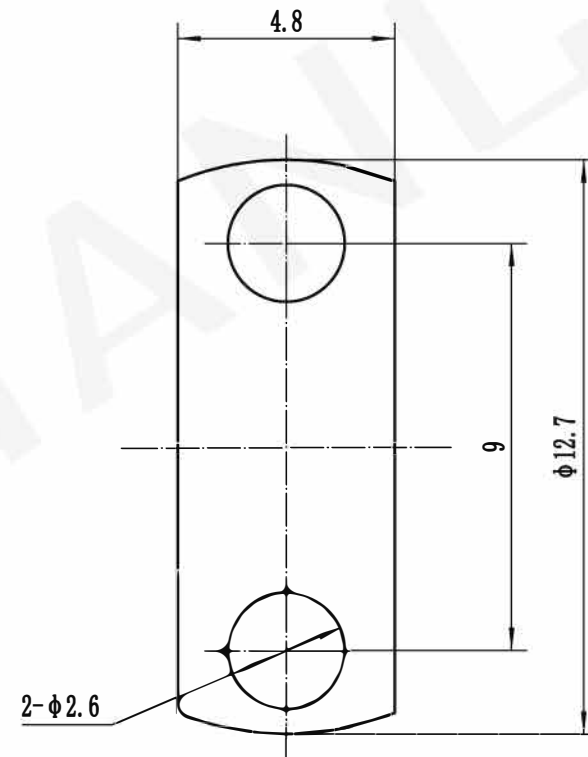


Flange dimensions:



ELECTRICAL:

1. Impedance: 50 Ω ;
2. Frequency: DC~26.5GHz;
3. VSWR/Return Loss: ≤1.1;
4. Insertion Loss: ≤0.06 √ dB;
5. Insulation Resistance: ≥5000M Ω ;
6. Dielectric Withstanding Voltage(AC): 500 Vrms.

MATERIAL & PLATING:

1. Contact: Beryllium Copper, Gold;
2. Insulation: PEI;
3. Outer Conductor: Stainless steel, Passivated.

ENVIRONMENTAL & MECHANICAL:

1. Temperature Range: -55℃~+155℃;
2. RoHS: Compliant.

All dimensions are in mm,
all angles are in degrees.

| | | |
|---|------------------|--|
| TITLE 3.5mm Male Field Replaceable RF Connector - 2 Hole Flange Mount, 12.7mm Hole Spacing, 0.9mm Pin | | PART NO. 3.5-JFD36 |
| | | DWG. NO. --- |
| | | DATE --- |
| TOLERANCES UNLESS OTHERWISE SPECIFIED X ±0.50 XX ±0.10 X ±0.20 ANGLES ±1° | | SCALE 6:1 |
| VIEW DIRECTION | | Mechanc (Shanghai) Information Technology Co., Ltd. www.mechanc.com sales@mechanc.com |
| SHEET: 1/1 | REV. V1.0 | |